

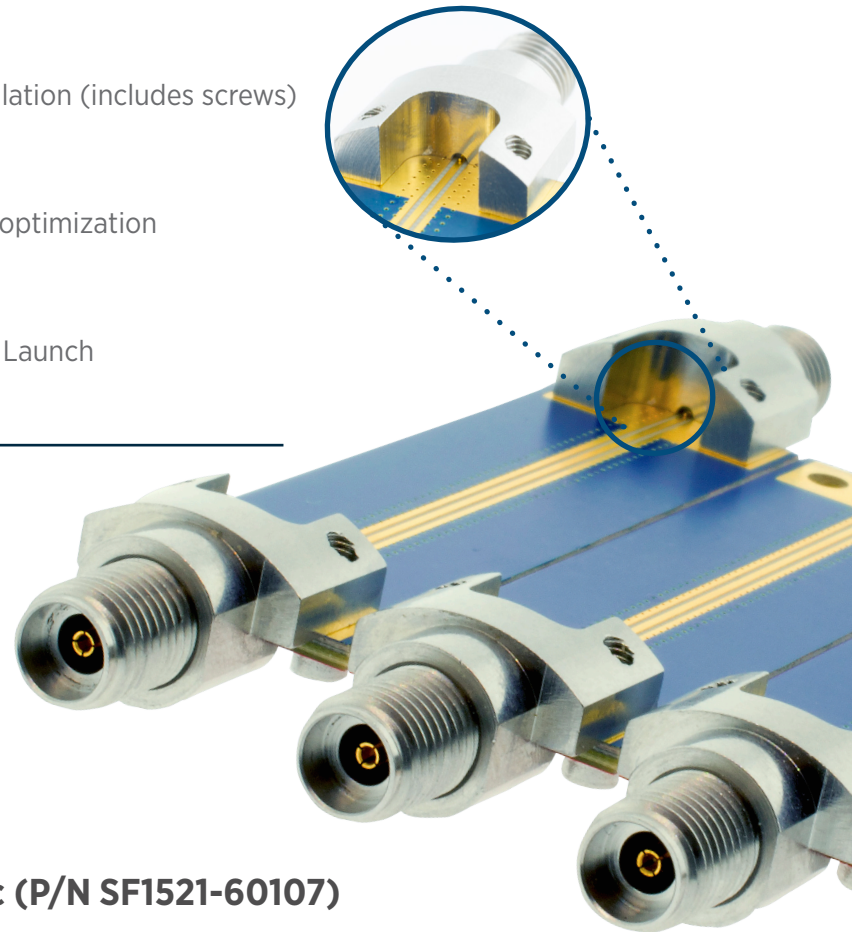
Solderless Edge Launch Connectors

Features & Benefits

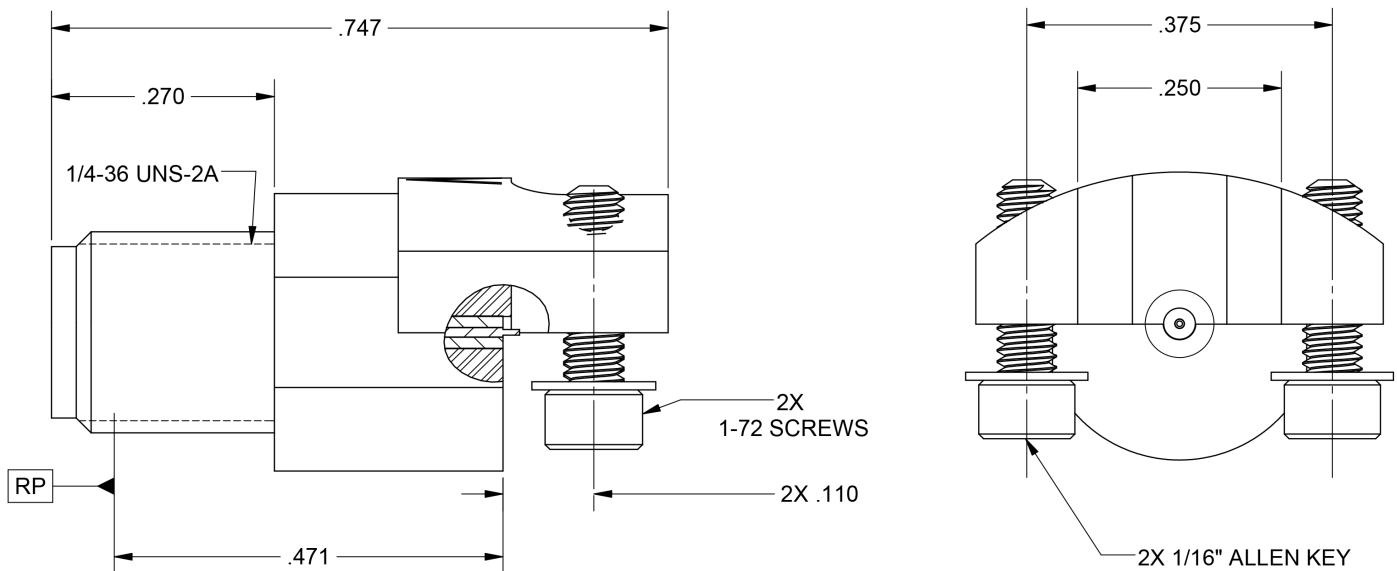
- Solderless compression mount for fast and easy installation (includes screws)
- Cost effective solutions for testing
- Durable and rugged design
- Customized PCB footprint design through simulation optimization
- COTS versions readily available through distribution
- Adjustable for multiple PCB thicknesses
- Minimal reflections through impedance matched PCB Launch
- SMA, 2.92mm, 2.4mm, and 1.85mm series available

Applications

- RF test and measurement boards
- Rapid prototyping
- High Speed Digital component test
- Military and Aerospace

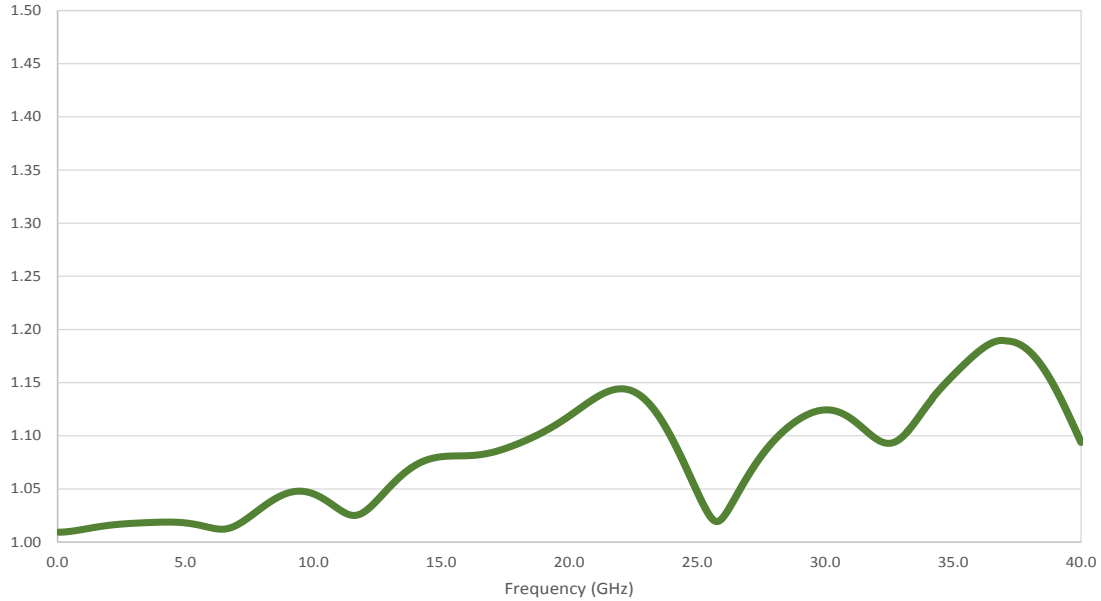


2.92mm Schematic (P/N SF1521-60107)



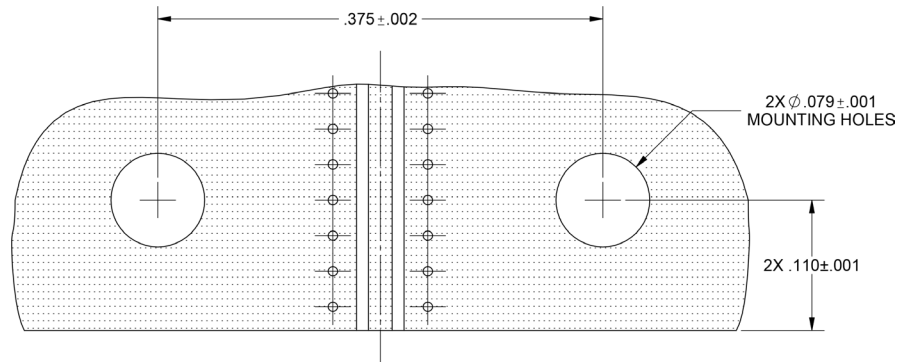
| Specifications | | | | |
|-------------------------|-----------------|-----------------|----------------|----------------|
| Electrical | SMA | 2.92mm | 2.4mm | 1.85mm |
| Impedance | 50Ω | 50Ω | 50Ω | 50Ω |
| Max Frequency | 26.5 GHz | 40 GHz | 50 GHz | 67 GHz |
| Mechanical | SMA | 2.92mm | 2.4mm | 1.85mm |
| Intermateability | 3.5mm, 2.92mm | SMA, 3.5mm | 1.85mm | 2.4mm |
| Recommended Mating | 7 - 10 in - lbs | 7 - 10 in - lbs | 5 - 7 in - lbs | 5 - 7 in - lbs |
| Recommended Board Mount | 12 in - oz | 12 in - oz | 12 in - oz | 12 in - oz |

VSWR: SF1521-60107 Connector to PCB Launch



The VSWR above is a gated measurement from the reference plane of the connector into .125" of board trace. Board construction was coplanar waveguide trace on a 10 mil core of Megtron 6.

(Recommended Mounting)



Solderless Edge Launch Line

| Series | Sex | Part Number |
|--------|-----|--------------|
| SMA | F | SF2921-61450 |
| 2.92mm | F | SF1521-60107 |
| 2.4mm | F | SF1621-60036 |
| 1.85mm | F | SF3321-60021 |